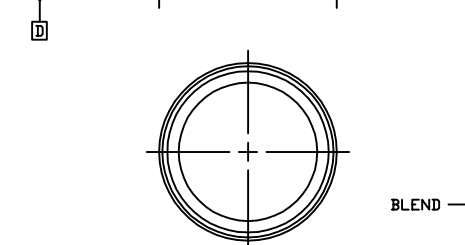
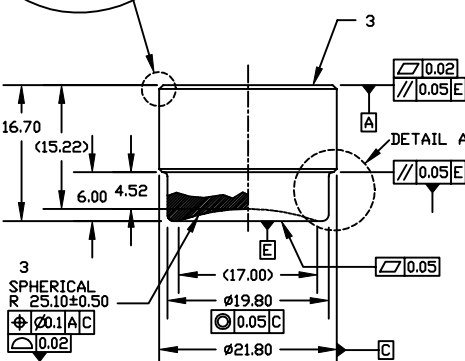
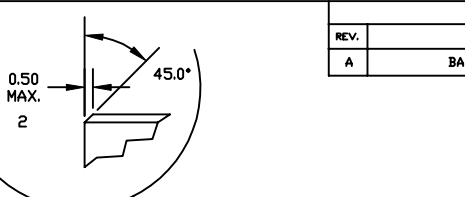
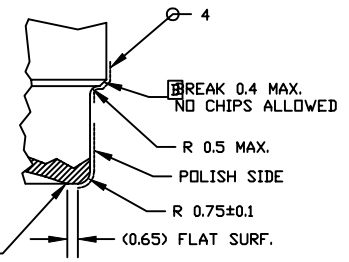


WITH 'DDATTE' TO INSERT TEXT INTO THE TITLEBLOCKS

REVISIONS			
REV.	DESCRIPTION	DATE	APPROVED
A	BASELINE RELEASE	5/28/97	D.S.



- NOTES:**
1. MATERIAL CERTIFICATION REQ'D.
  2. CHAMFER TO PREVENT CHIPPING. POLISH TO REMOVE SHARP EDGES.
  3. OPTICAL POLISH. SCRATCH/DIG 20/10 PER MIL-D-13830.
  4. APPROX. FRIT REGION; SURFACE GROUND A/R FOR COMPAT. WITH FRIT MAT'L PYROCERAM 7578 (FERRO) OR EQUIVALENT.
  5. MATERIAL AND QUALITY SPECS., SEE PG.2.



**DETAIL A**  
SCALE 4/1  
DIMS ALL AROUND

1		FIBER OPTIC		SEE NOTE 5																																																																			
ITEM#	QTY	PART NUMBER	NOMENCLATURE	MATERIAL SPECIFICATION																																																																			
<table border="1"> <tr> <td colspan="3">TOLERANCES (EXCEPT AS SPECIFIED)</td> <td colspan="3">DO NOT SCALE DRAWING</td> </tr> <tr> <td>BOUR</td> <td>FIN</td> <td>TOLERANCE</td> <td colspan="3">METRIC DRAWING</td> </tr> <tr> <td>±</td> <td>±</td> <td>±</td> <td colspan="3">UNITS: mm</td> </tr> <tr> <td>°</td> <td>°</td> <td>°</td> <td colspan="3">INTERPRET PER ANSI Y14.5-1982</td> </tr> <tr> <td>AS</td> <td>AS</td> <td>AS</td> <td colspan="3">VOL. 1 SYMBOLS PER ANSI Y14.5-1982</td> </tr> <tr> <td>AS</td> <td>AS</td> <td>AS</td> <td colspan="3">DVG TITLE: FIBER OPTIC</td> </tr> <tr> <td>AS</td> <td>AS</td> <td>AS</td> <td colspan="3">VIC DETECTOR</td> </tr> <tr> <td colspan="2">SURFACE FINISH</td> <td>APPROVALS</td> <td>DATE</td> <td colspan="2">DVG NO. 8076-A3</td> </tr> <tr> <td colspan="2">SURFACE TREATMENT</td> <td>DRAWN J. STOCK</td> <td>5/8/97</td> <td>REV. A</td> <td></td> </tr> <tr> <td colspan="2">NEXT FINAL NEXT ASSY USED ON</td> <td>CHECKED CL. SIEGALND</td> <td>5/28/97</td> <td>PROGRAM IMAGE</td> <td>SCALE 2/1</td> </tr> <tr> <td colspan="2">QTY REQD PER ASSY</td> <td>ISSUED J. STOCK</td> <td>5/28/97</td> <td>DWG. NO. (PREV. 00503)</td> <td>SHEET 1 OF 2</td> </tr> </table>						TOLERANCES (EXCEPT AS SPECIFIED)			DO NOT SCALE DRAWING			BOUR	FIN	TOLERANCE	METRIC DRAWING			±	±	±	UNITS: mm			°	°	°	INTERPRET PER ANSI Y14.5-1982			AS	AS	AS	VOL. 1 SYMBOLS PER ANSI Y14.5-1982			AS	AS	AS	DVG TITLE: FIBER OPTIC			AS	AS	AS	VIC DETECTOR			SURFACE FINISH		APPROVALS	DATE	DVG NO. 8076-A3		SURFACE TREATMENT		DRAWN J. STOCK	5/8/97	REV. A		NEXT FINAL NEXT ASSY USED ON		CHECKED CL. SIEGALND	5/28/97	PROGRAM IMAGE	SCALE 2/1	QTY REQD PER ASSY		ISSUED J. STOCK	5/28/97	DWG. NO. (PREV. 00503)	SHEET 1 OF 2
TOLERANCES (EXCEPT AS SPECIFIED)			DO NOT SCALE DRAWING																																																																				
BOUR	FIN	TOLERANCE	METRIC DRAWING																																																																				
±	±	±	UNITS: mm																																																																				
°	°	°	INTERPRET PER ANSI Y14.5-1982																																																																				
AS	AS	AS	VOL. 1 SYMBOLS PER ANSI Y14.5-1982																																																																				
AS	AS	AS	DVG TITLE: FIBER OPTIC																																																																				
AS	AS	AS	VIC DETECTOR																																																																				
SURFACE FINISH		APPROVALS	DATE	DVG NO. 8076-A3																																																																			
SURFACE TREATMENT		DRAWN J. STOCK	5/8/97	REV. A																																																																			
NEXT FINAL NEXT ASSY USED ON		CHECKED CL. SIEGALND	5/28/97	PROGRAM IMAGE	SCALE 2/1																																																																		
QTY REQD PER ASSY		ISSUED J. STOCK	5/28/97	DWG. NO. (PREV. 00503)	SHEET 1 OF 2																																																																		
<table border="1"> <tr> <td>SIZE</td> <td>PROGRAM</td> <td>DWG. NO.</td> <td>REV.</td> </tr> <tr> <td>A</td> <td>IMAGE</td> <td>8076-A3</td> <td>A</td> </tr> <tr> <td>SCALE</td> <td>N/A</td> <td>SHEET</td> <td>2 OF 2</td> </tr> </table>						SIZE	PROGRAM	DWG. NO.	REV.	A	IMAGE	8076-A3	A	SCALE	N/A	SHEET	2 OF 2																																																						
SIZE	PROGRAM	DWG. NO.	REV.																																																																				
A	IMAGE	8076-A3	A																																																																				
SCALE	N/A	SHEET	2 OF 2																																																																				



REVISIONS			
REV.	DESCRIPTION	DATE	APPROVED
A	BASELINE RELEASE	5/28/97	D.S.

**MATERIAL AND QUALITY SPECIFICATIONS**

MATERIAL: 4-6 MICRON, SQUARE PACK, INTERSTITIAL EMA, NA 1.0, CORE/CLAD 70/30  
 CTE  $6.8 \times 10^{-7}/^{\circ}\text{C}$   
 COMPATIBLE WITH PHOSPHOR  
 HERMETIC TO  $10^{-10}$  STD CC/SEC He

SHEAR DISTORTION: < 50 MICRONS  
 GROSS DISTORTION: < 1%  
 QUALITY AREA: 18mm DIA.

BLEMISH QUALITY:

SIZE	QUANTITY
< 25 MICRONS	< 0.5% OF AREA
25-50 MICRONS	5
50-75 MICRONS	3
> 75 MICRONS	0

CHICKEN WIRE:

SIZE	QUANTITY
> 2 FIBER WIDE	TREAT AS BLEMISH (LENGTH + WIDTH)/2
< 2 FIBER WIDE	USE FOLLOWING TABLE

LENGTH	QUANTITY
< 0.45mm	DISREGARD
0.45mm TO .90mm	6
0.91mm TO 1.50mm	4
1.51mm TO 3.00mm	1
> 3.00mm	0