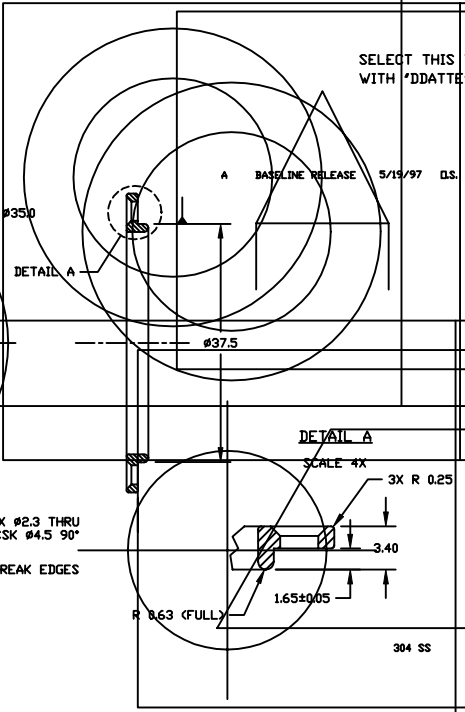


NOTES:  
 1. MATERIAL CERT'S REQUIRED.  
 2. DO NOT USE SULFUR DILS.



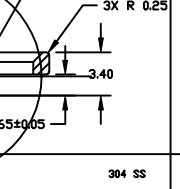
SELECT THIS TEXT (IT BELONGS WITH A BLOCK OF ATTRIBUTES)  
 WITH 'DDATTE' TO INSERT TEXT INTO THE TITLEBLOCKS

0005

A

DETAIL A

SCALE 4X



0005

A

0.8  
 ELECTROPOLISH  
 J. STOK 3/19/97  
 D. SIEWING 5/19/97  
 J. STOK 8/19/97  
 MCP CLAMP RING  
 SI DETECTOR  
 IMAGE 0REV. 0527 0073-A3  
 A