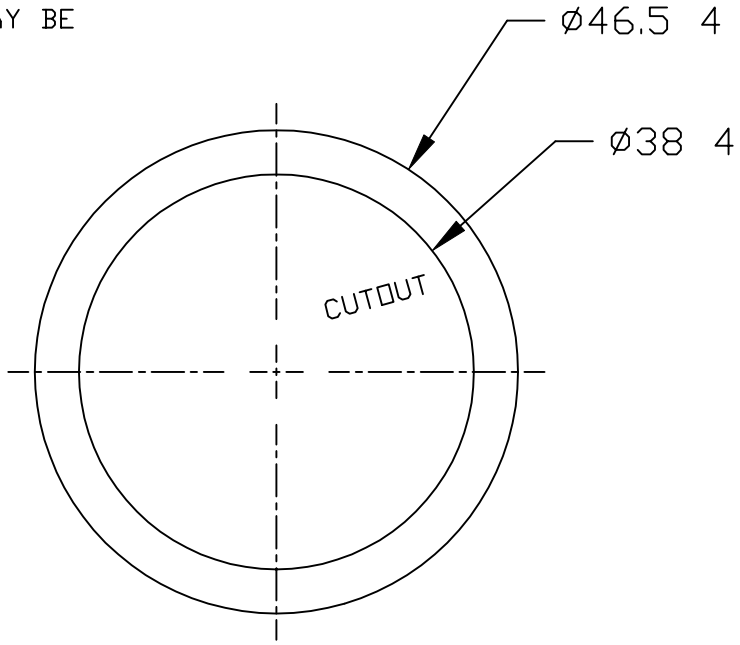


REVISIONS			
REV.	DESCRIPTION	DATE	APPROVED
-	BASELINE RELEASE		
A	CREATE NEW DWG. NUM. FROM OLD DWG., NO DESIGN CHANGE	3/25/97	J. SIEGMUND

NOTES (UNLESS OTHERWISE SPECIFIED):

1. INTERPRET DRAWING PER ANSI Y14.5M - 1982.
2. SURFACE TEXTURE PER ANSI B46.1 - 1978. MICROMETERS - μm
3. DO NOT SCALE DRAWING. DRAWING MAY BE REPRODUCED.
4. ADJUST DIMENSIONS AS NEEDED TO SATISFY SPECIFICATIONS 4 5 OF ASSY DWG.



1		4		.002" CUSIL FOIL															
ITEM#		QTY		PART NUMBER		NOMENCLATURE													
						MATERIAL SPECIFICATION													
THIRD ANGLE PROJECTION				TOLERANCES (EXCEPT AS SPECIFIED)		DO NOT SCALE DRAWING METRIC DRAWING (UNITS: mm)													
		<table border="1"> <thead> <tr> <th>OVER</th> <th>TO</th> <th>TOLERANCE</th> </tr> </thead> <tbody> <tr> <td>0</td> <td>49.99</td> <td>±0.1</td> </tr> <tr> <td>50</td> <td>249.9</td> <td>±0.5</td> </tr> <tr> <td>250</td> <td>-</td> <td>±1</td> </tr> </tbody> </table>		OVER	TO	TOLERANCE	0	49.99	±0.1	50	249.9	±0.5	250	-	±1	INTERPRET PER ANSI Y14.5-1982 WELDING SYMBOLS PER ANSI/AWS A2.4-79		<i>Experimental Astrophysics Group</i> UNIVERSITY OF CALIFORNIA, BERKELEY, USA	
OVER	TO	TOLERANCE																	
0	49.99	±0.1																	
50	249.9	±0.5																	
250	-	±1																	
SURFACE FINISH				APPROVALS		DATE													
SURFACE TREATMENT				DRAWN J. STOCK		3/21/97													
MASS				CHECKED D. SIEGMUND		3/21/97													
ISSUED J. STOCK				3/25/97		DWG TITLE CUSIL FOIL RING SI DETECTOR													
NEXT QTY REQD PER ASSY		FINAL QTY REQD PER ASSY		NEXT ASSY		USED ON													
APPLICATION						SIZE B PROGRAM IMAGE DWG. NO. 8067-A3 (PREV. 00417)													
						SCALE 2/1 SHEET 1 OF 1													