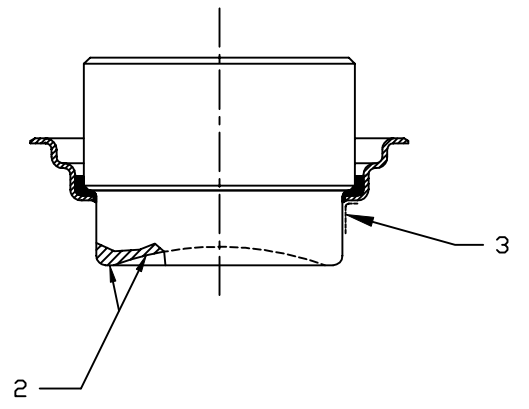


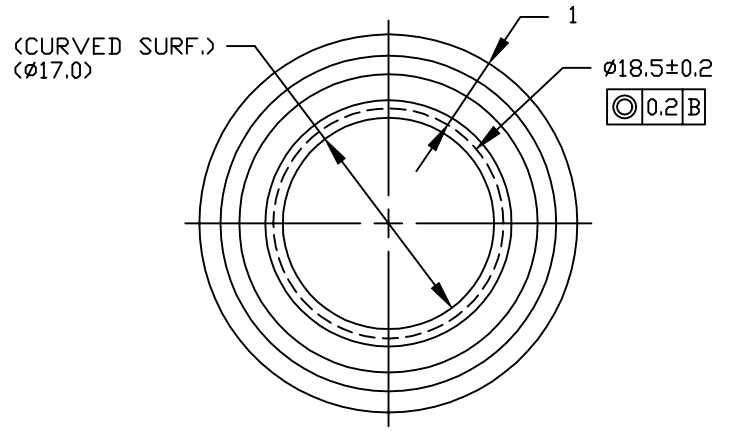
| REVISIONS | | | |
|-----------|------------------|--------|----------|
| REV. | DESCRIPTION | DATE | APPROVED |
| A | BASELINE RELEASE | 9/3/97 | D.S. |

NOTES:

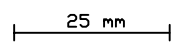
- NICHROME MASK, COAT SIDES OF FIBER OPTIC.
- PHOSPHOR P20, 6-8 MICRONS THK. ALUMINUM OVERCOAT, 800-1000 ANG. THK.
- ELECTRICALLY CONNECT FLANGE TO FIBER OPTIC USING VACUUM COMPATIBLE SILVER PAINT.
- FRITTED FIBER OPTIC ASSY SUPPLIED BY UCB.
- PHOSPHOR QUALITY ($\phi 18.5$):
RESOLUTION: 80 LP/MM MIN.
UNIFORMITY: 15% MAX



| BRIGHT [DARK] SPOTS | |
|----------------------|-------------|
| SIZE | QTY. |
| <75 μm | NOT COUNTED |
| 75-150 μm | 3 [3] |
| >150 μm | 0 [0] |



(PREV. 8588)



| 1 | | 8085-A3 | FIBER OPTIC FRITTED ASSY 4 | |
|-------|-----|-------------|----------------------------|------------------------|
| ITEM# | QTY | PART NUMBER | NOMENCLATURE | MATERIAL SPECIFICATION |

THIRD ANGLE PROJECTION

| | | | |
|-------------------|-------|-------------|---------|
| NEXT | FINAL | NEXT ASSY | USED ON |
| QTY REQD PER ASSY | | APPLICATION | |

| | | | |
|----------------------------------|-------|-----------|---|
| TOLERANCES (EXCEPT AS SPECIFIED) | | | DO NOT SCALE DRAWING METRIC DRAWING (UNITS: mm) |
| OVER | TO | TOLERANCE | |
| 0 | 49.99 | ± 0.1 | INTERPRET PER ANSI Y14.5-1982 WELDING SYMBOLS PER ANSI/AWS A2.4-79 |
| 50 | 249.9 | ± 0.5 | |
| 250 | | ± 1 | |
| ANGLES | | | |
| | | | $\pm 0.1^\circ$ |
| SURFACE FINISH | | | |
| SURFACE TREATMENT | | | |
| MASS | | | |

| | | | |
|---|----------|---|------|
| <i>Experimental Astrophysics Group</i> | | | |
| UNIVERSITY OF CALIFORNIA, BERKELEY, USA | | | |
| DWG TITLE | | FIBER OPTIC ASSEMBLY, COATED WIC DETECTOR | |
| DRAWN | J. STOCK | 5/9/97 | DATE |
| CHECKED | D.S. | 9/3/97 | DATE |
| ISSUED | J.STOCK | 9/3/97 | DATE |
| SIZE | PROGRAM | DWG. NO. | REV |
| A | IMAGE | (PREV. 00504) 8064-A3 | A |
| SCALE 2/1 | | SHEET 1 OF 1 | |