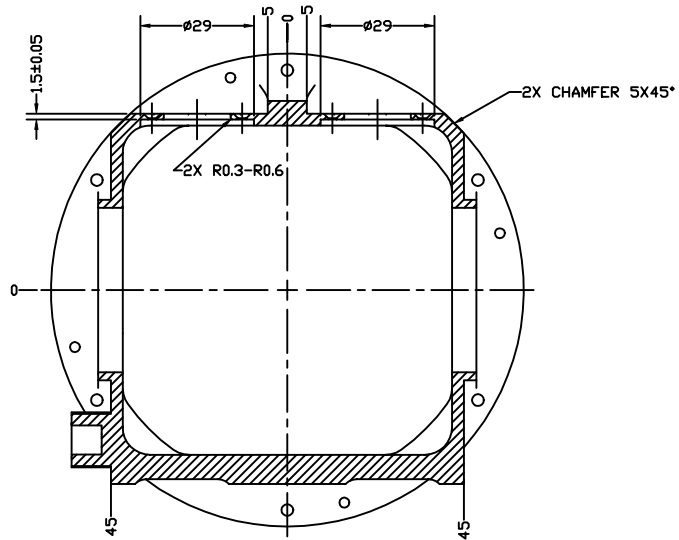
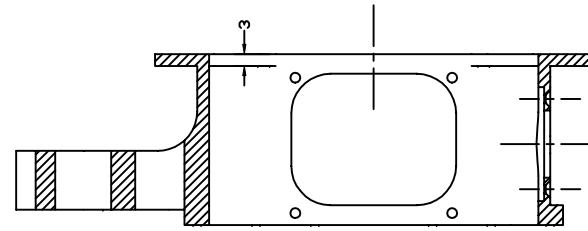


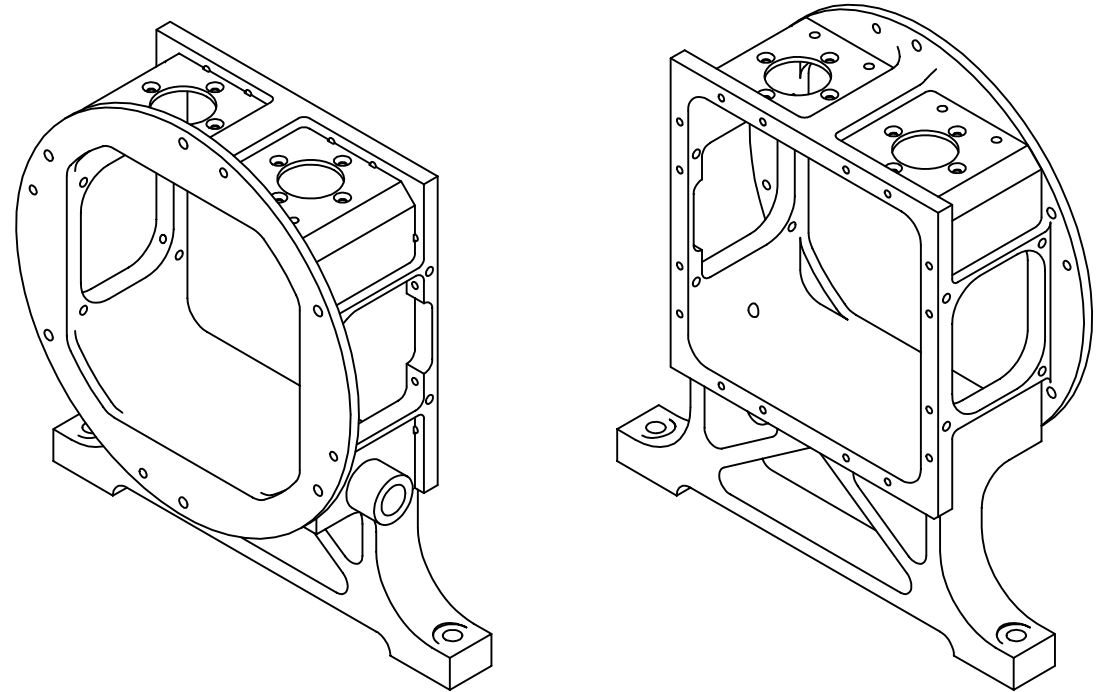
REVISIONS			
REV	DESCRIPTION	DATE	APPROVED
D	CHANGED LOCATION & DD OF 1/8" NPT BOSS, ADDED R0.3-R0.5 FILLETS TO UNDERSIDE OF UPPER BORES.	2/3/98	



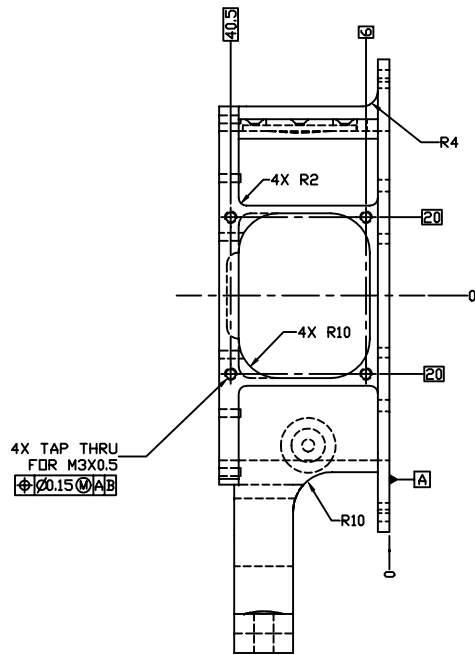
SECTION A-A



SECTION C-C



REFERENCE ISOMETRIC VIEWS



VIEW B-B

<i>Space Sciences Laboratory</i>			
UNIVERSITY OF CALIFORNIA, BERKELEY, USA			
DWG TITLE		INTERFACE HOUSING FUV WIC	
SIZE	PROGRAM	DWG. NO.	REV
C	IMAGE	8062-A4	D
SCALE FULL		SHEET 2 OF 2	