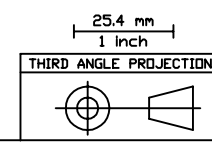
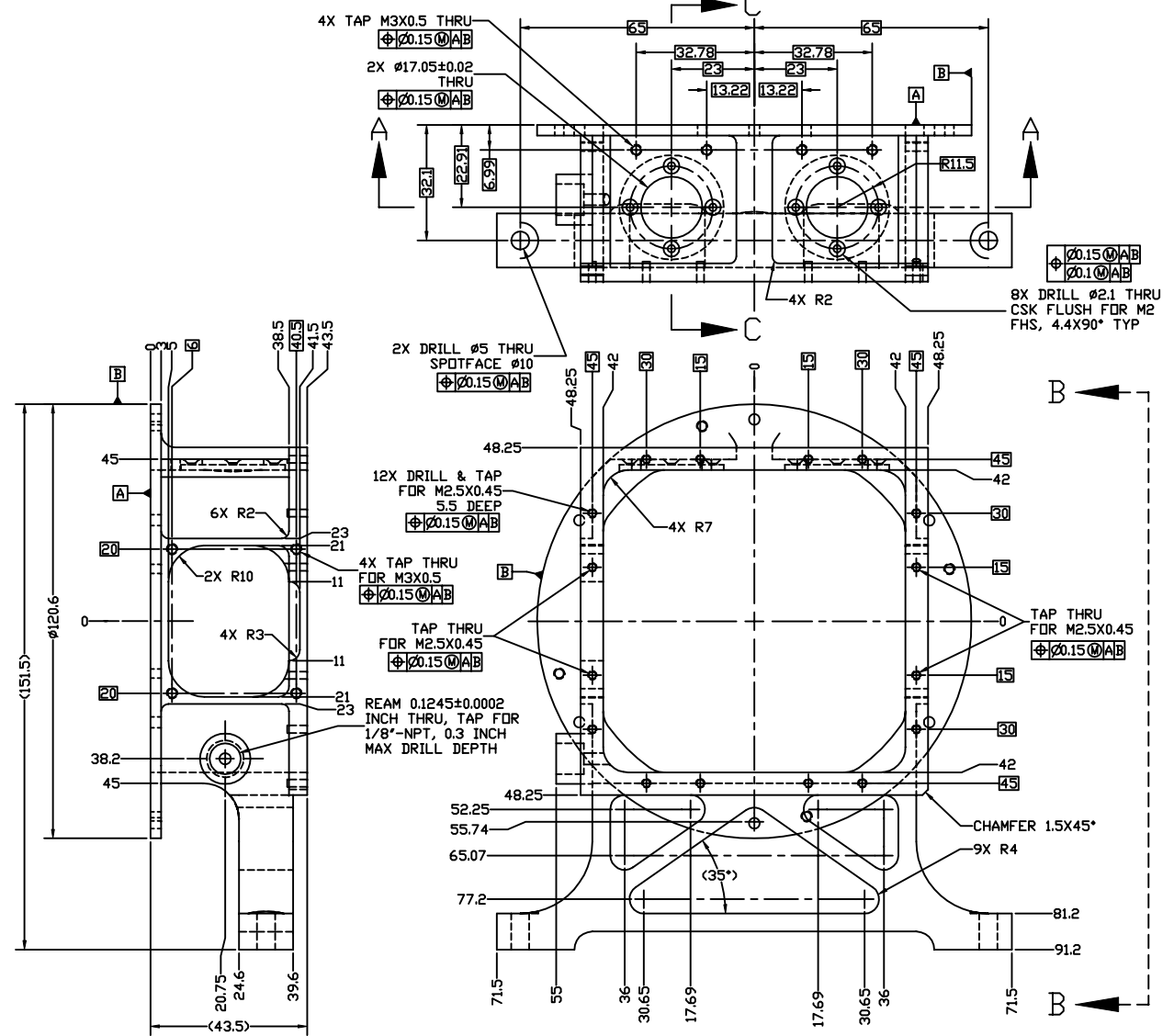
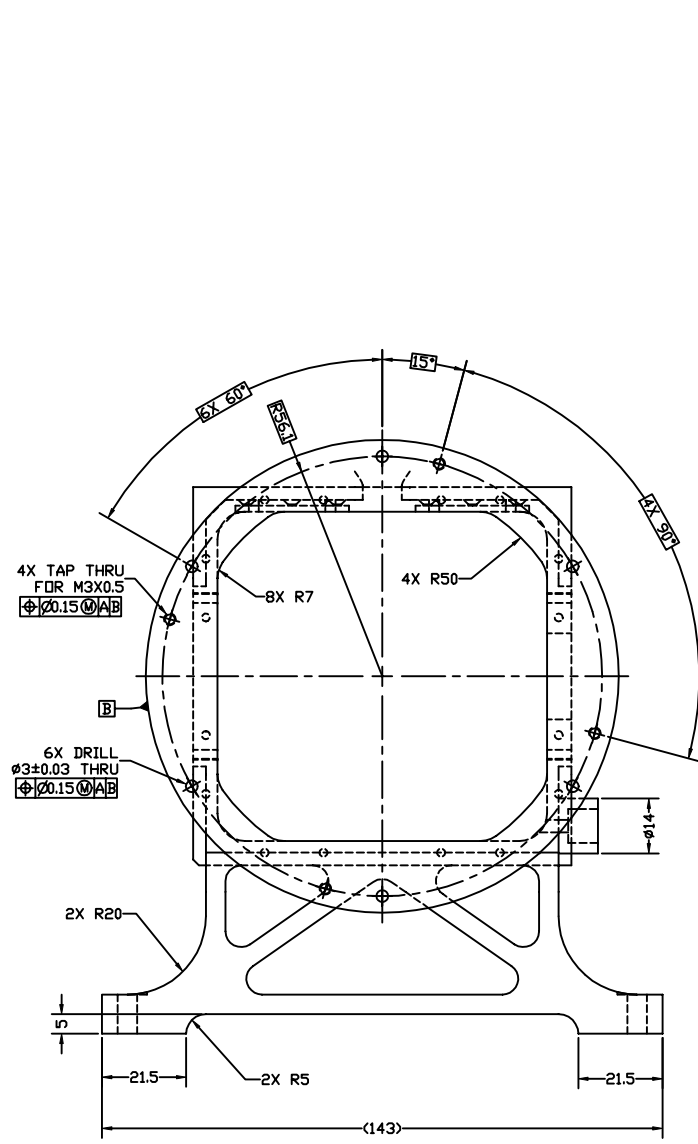


| REVISIONS | | | |
|-----------|---|--------|----------|
| REV | DESCRIPTION | DATE | APPROVED |
| D | CHANGED LOCATION & DD OF 1/8" NPT BOSS, ADDED R0.3-R0.5 FILLETS TO UNDERSIDE OF UPPER BOSS. | 2/3/98 | |



| | | | |
|----------------------------------|-------|---|---|
| 1 | A/R | ALUMINUM ALLOY, 7075-T73 | QQ-A-250/12 |
| ITEM# | QTY | PART NUMBER | NOMENCLATURE |
| TOLERANCES (EXCEPT AS SPECIFIED) | | DO NOT SCALE DRAWING METRIC DRAWING (UNITS: mm) | |
| OVER | TO | TOLERANCE | INTERPRET PER ANSI Y14.5-1994 WELDING SYMBOLS PER ANSI/ANS A24-79 |
| 0 | 49.99 | ±0.1 | APPROVALS |
| 50 | 249.9 | ±0.5 | DATE |
| 250 | | ±1 | DRAWN K. KROMER 10/19/97 |
| ANGLES | | | CHECKED |
| SURFACE FINISH | | 1.6 | ISSUED |
| SURFACE TREATMENT | | GOLD ALDINE 600 PER MIL-C-5541 CLASS 3 | SIZE C |
| MASS | | 260g | PROGRAM IMAGE |
| | | | DWG NO. 8062-A4 |
| | | | REV D |
| | | | SHEET 1 OF 2 |

Space Sciences Laboratory
UNIVERSITY OF CALIFORNIA, BERKELEY, USA

INTERFACE HOUSING
FUV WIC