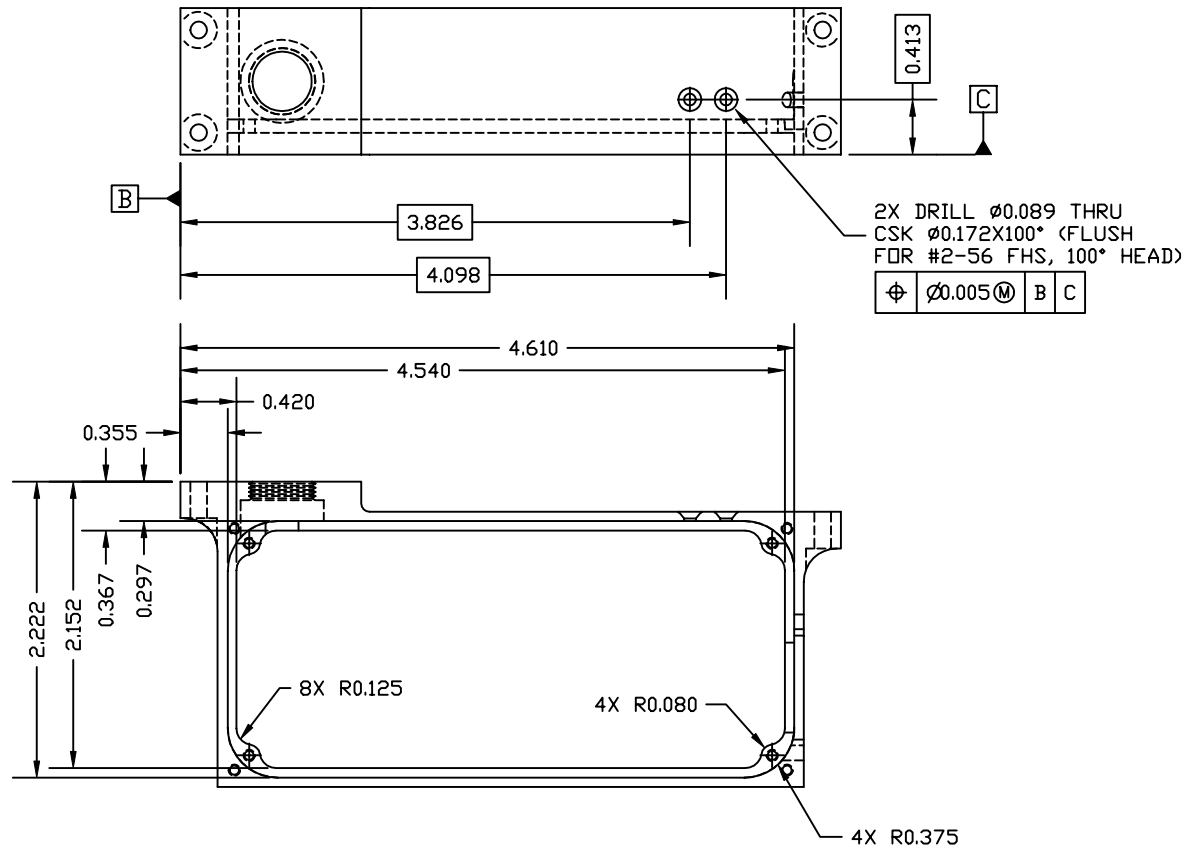
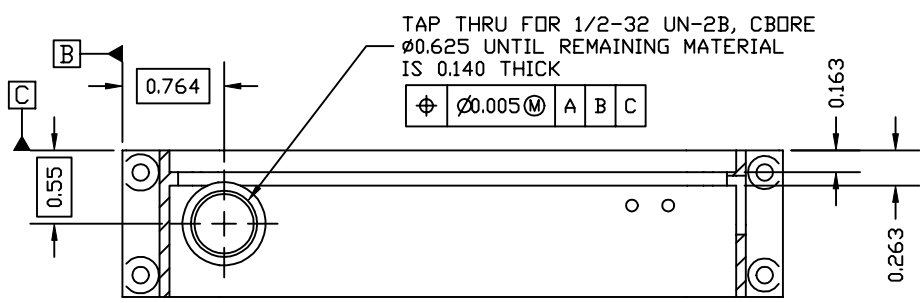
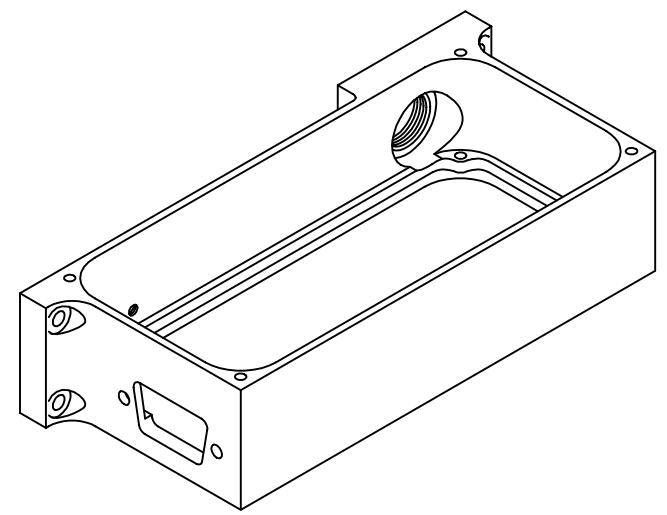


REVISIONS			
	DESCRIPTION	DATE	APPROVED
B	CORRECTED .495 DIM TO .516	10/14/97	



2X DRILL $\phi 0.089$ THRU
 CSK $\phi 0.172 \times 100^\circ$ (FLUSH
 FOR #2-56 FHS, 100° HEAD)
 $\phi \phi 0.005 \text{ (M)} \text{ B C}$



SECTION A-A

SIZE B	PROGRAM IMAGE	DWG. NO. 8055-A4	REV B
SCALE FULL		SHEET 2 OF 2	