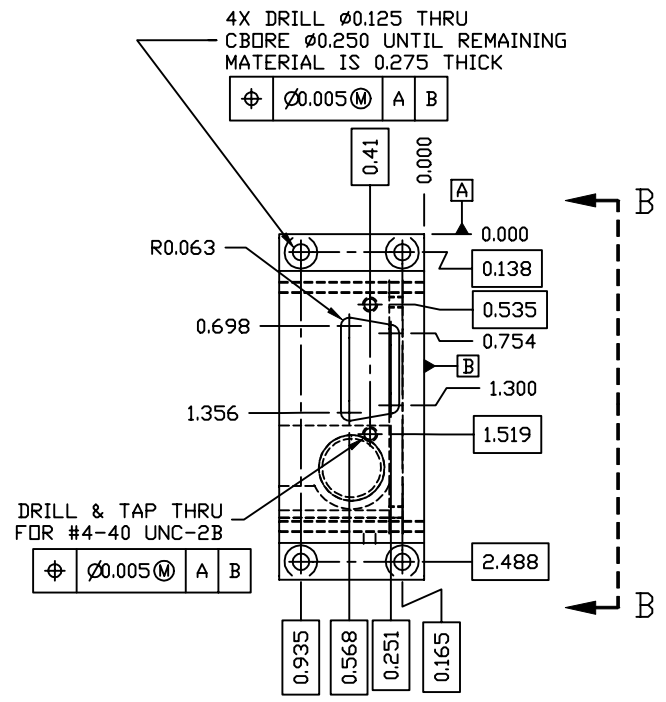
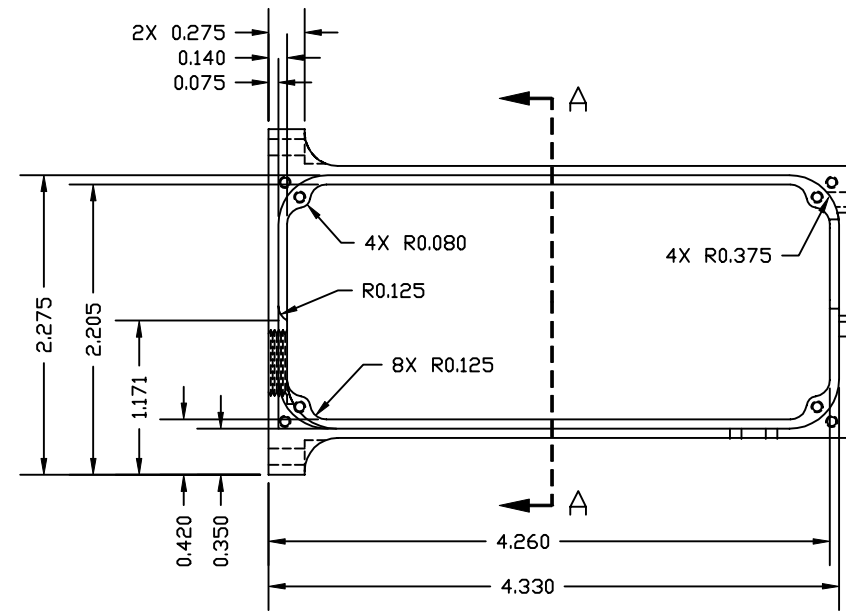
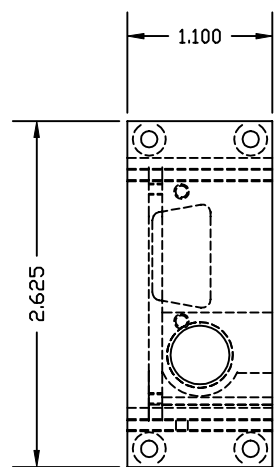
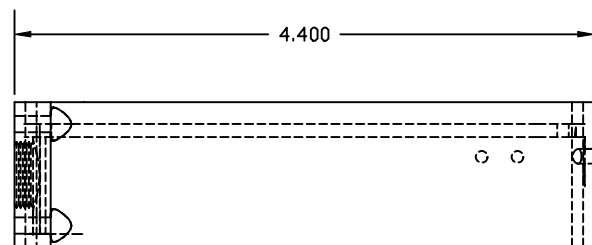


REVISIONS			
REV.	DESCRIPTION	DATE	APPROVED
A	BASELINE RELEASE	3/31/97	
B	CHANGED 2X #2-56 TO #4-40	4/22/97	
C	CHANGED LENGTH TO 4.40	7/8/97	



1	A/R	ALUMINUM ALLOY, 6061-T651	QQ-A-250/1
ITEM#	QTY	PART NUMBER	NOMENCLATURE
TOLERANCES (EXCEPT AS SPECIFIED)		DO NOT SCALE DRAWING ENGLISH DRAWING (UNITS: inches)	
OVER	TO	TOLERANCE	INTERPRET PER ANSI Y14.5-1994 WELDING SYMBOLS PER ANSI/AWS A2.4-79
0	1.999	±0.004	
2	9.999	±0.02	
10	-	±0.04	
ANGLES		±1°	
SURFACE FINISH		1.6	APPROVALS
SURFACE TREATMENT		ALODINE 600 PER MIL-C-5541	DATE
MASS		57.9g	DRAWN K. KROMER 3/31/97
			CHECKED
			ISSUED
			DWG TITLE
			UNIVERSITY OF CALIFORNIA, BERKELEY, USA
			ELECTRONICS BOX
			HVPS
SIZE	PROGRAM	DWG. NO.	REV
B	IMAGE	8038-A4	C
SCALE FULL		SHEET 1 OF 2	

