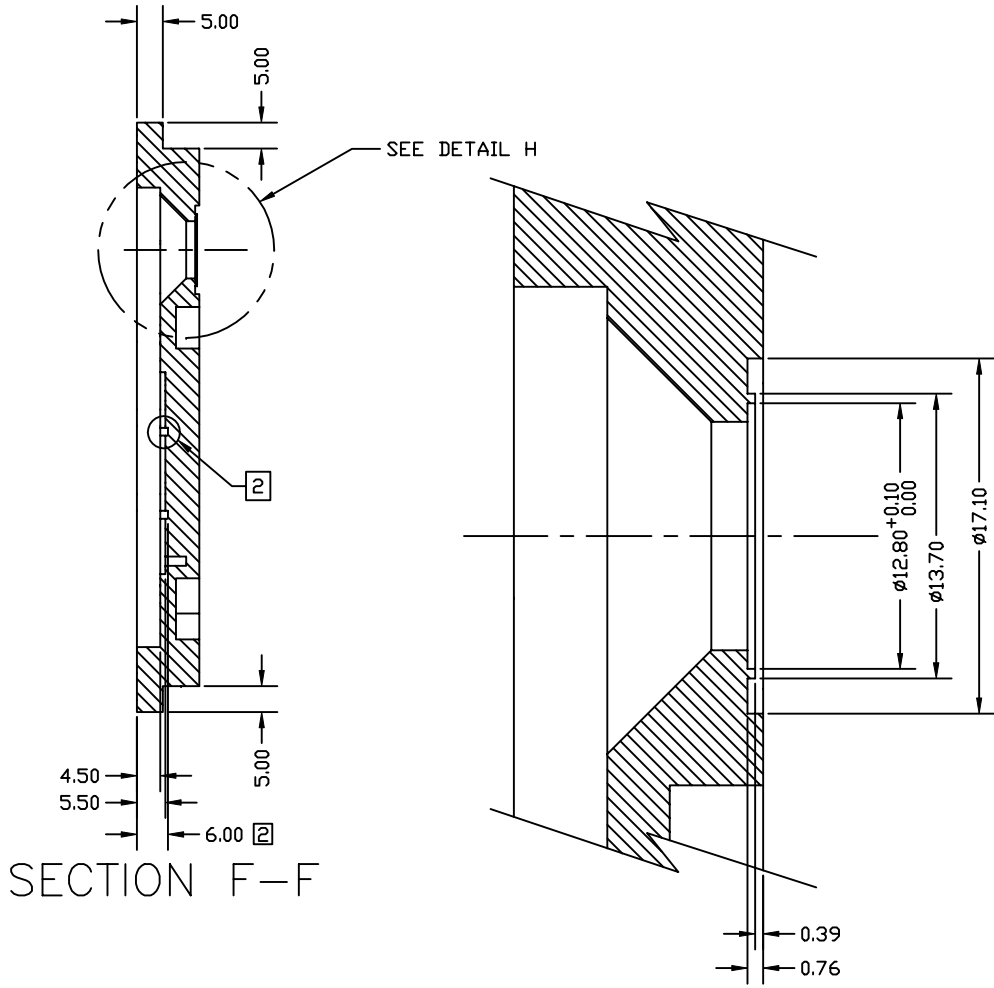
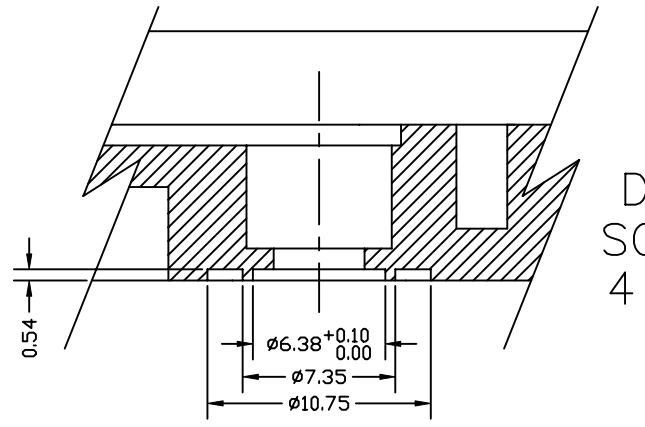


REVISIONS			
	DESCRIPTION	DATE	APPROVED
E	MOVED $\phi 9.53$ HOLE AND CHANGED TO $\phi 11$ WITH $\phi 12.8$ CBORE	8/16/97	

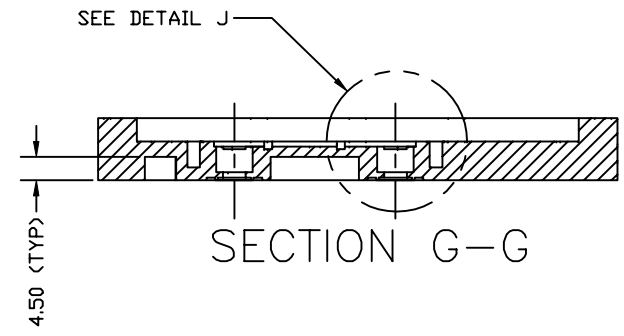


SECTION F-F

DETAIL H  
SCALE=4:1



DETAIL J  
SCALE=4:1  
4 PLACES



SECTION G-G

SIZE B	PROGRAM IMAGE	DWG. NO. 8037-A4	REV E
SCALE FULL		SHEET 2 OF 3	