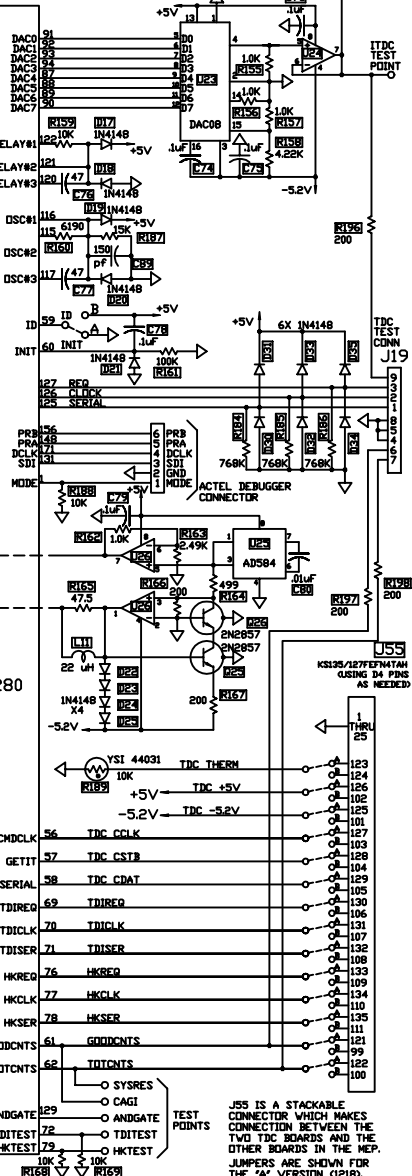


REV	DESCRIPTION	DATE	BY	CHK
0	PART TYPES, VALUES & REF. LISTS	2/20/79	DLH	DLH
1	CHECK FROM DESIGN TO BOARD	11/11/80	DLH	DLH
2	RELIEF RES. 110, C88, C89, R111, 101, J19	10/26/82	DLH	DLH



ACTEL PINS 12, 23, 24, 27, 50, 66, 80, 107, 109, 110, 113, 136, 151, AND 166 TIED TO +5V. ONE CAP FOR EACH PIN DESIGNATORS ARE C81, C86, C88, C84, C85, C86, C87, C88, C89, C90, C91, C92, C93, C94, AND C95 RESPECTIVELY.

ACTEL PINS 7, 17, 22, 32, 37, 55, 65, 75, 98, 103, 106, 108, 118, 123, 141, 152, 161 ARE GROUNDED

LAST DESIGNATORS: R198 U87 U85 C89

J55 IS A STACKABLE CONNECTOR WHICH MAKES CONNECTION BETWEEN THE TWO TDC BOARDS AND THE OTHER BOARDS IN THE MEP. NUMBERS ARE SHOWN FOR THE 'A' VERSION (G18).

TEST POINTS  
 CAGI  
 ANDGATE  
 TDC TEST  
 TDC TEST

UNIVERSITY OF CALIFORNIA AT BERKELEY  
 SPACE SCIENCES LABORATORY  
 78 AUGUST, 1977  
 H. HERTBERG  
 B. H. LAMPTON

8014-A4 F  
 SHEET 1 OF 1