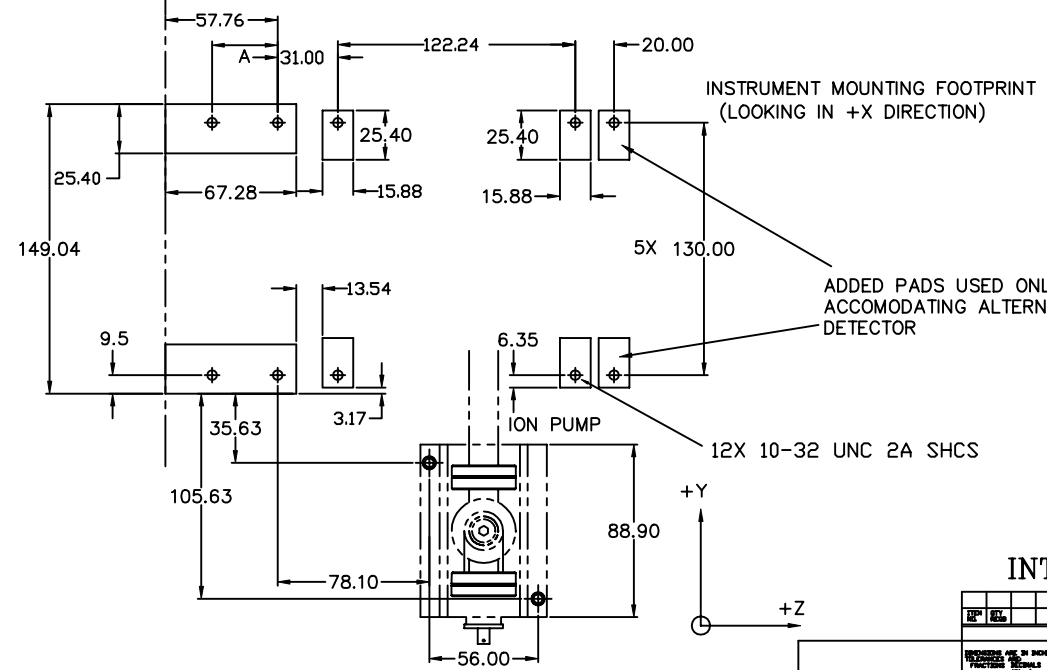
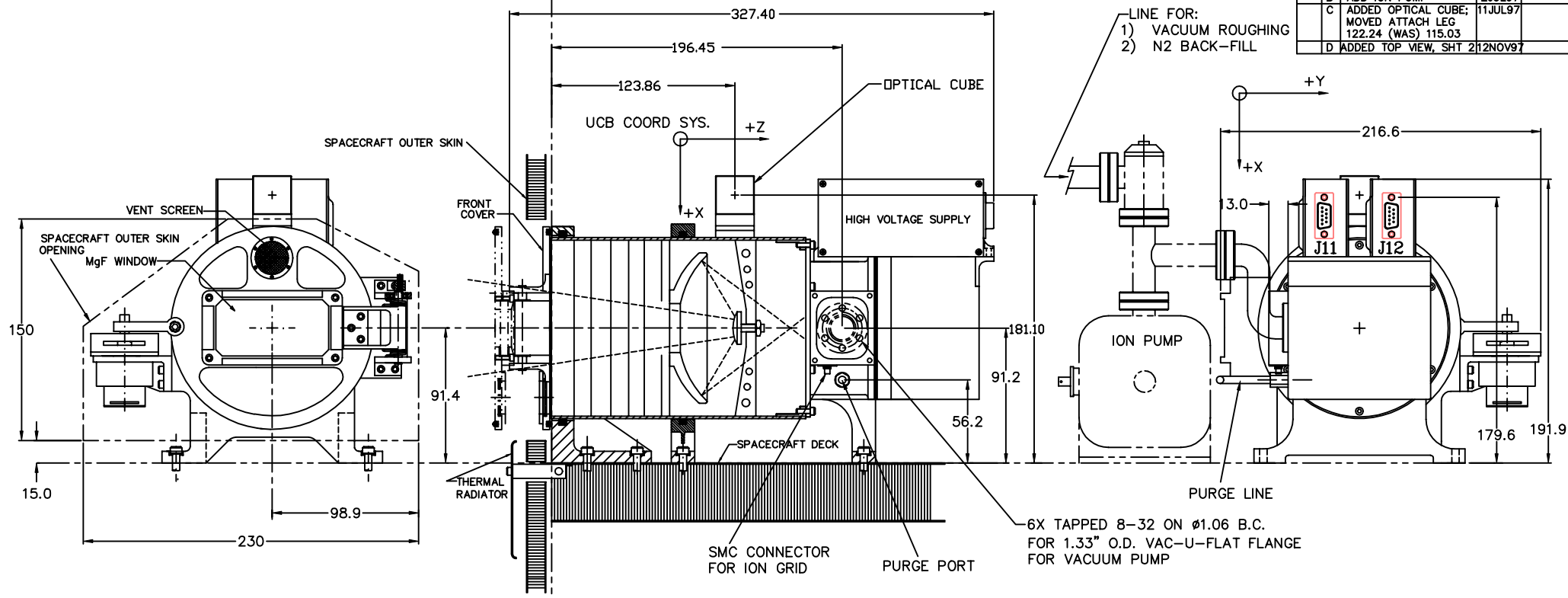


REVISIONS			
DATE	DESCRIPTION	DATE	APPROVED
2JUL97	ADD ION PUMP		
11JUL97	ADDED OPTICAL CUBE; MOVED ATTACH LEG 122.24 (WAS) 115.03		
21NOV97	ADDED TOP VIEW, SHT 2		



- NOTES:
- TOTAL MASS: 5.5 kg
 - EXTERIOR MATERIAL: ALUM., GRAPHITE COMPOSITE, NORYL, MgF
 - SURFACE FINISH: BARE MAT'L, BLACK ANODIZE.
 - SURFACE PROPERTIES: EMISSIVITY: TBD ABSORPTIVITY: TBD
 - TOTAL CONTACT AREA: TBD
 - THERMAL CAPACITY: TBD
 - ROUGHNESS OF CONTACT AREA: TBD
 - MOMENTS OF INERTIA: I_{xx} = TBD, I_{yy} = TBD, I_{zz} = TBD.
 - CENTER OF GRAVITY LOCATION: TBD
 - A DISTANCE FROM FOWARD FASTENER TO SPACECRAFT SKIN TO BE KEPT TO MINIMUM, AND TO BE DETERMINED BY SPACECRAFT MANUFACTURER.



INTERFACE CONTROL DRAWING

DATE	REV.	DESCRIPTION	DATE	APPROVED
	B	ADD ION PUMP	2JUL97	
	C	ADDED OPTICAL CUBE; MOVED ATTACH LEG 122.24 (WAS) 115.03	11JUL97	
	D	ADDED TOP VIEW, SHT 2	21NOV97	

CONTRACT		PARTS LIST	
APPROVALS	DATE	CONTRACT	DATE
SIGNED		WIC MECHANICAL	
CHECKED	R.CHUNG 23JAN97	INTERFACE CONTROL DRAWING	
DATE		JOB NO.	SIZE
			E 8007-A2D
APPV		SCALE	FULL
APPLICATION	WEIGHT		SHEET 1 OF 2