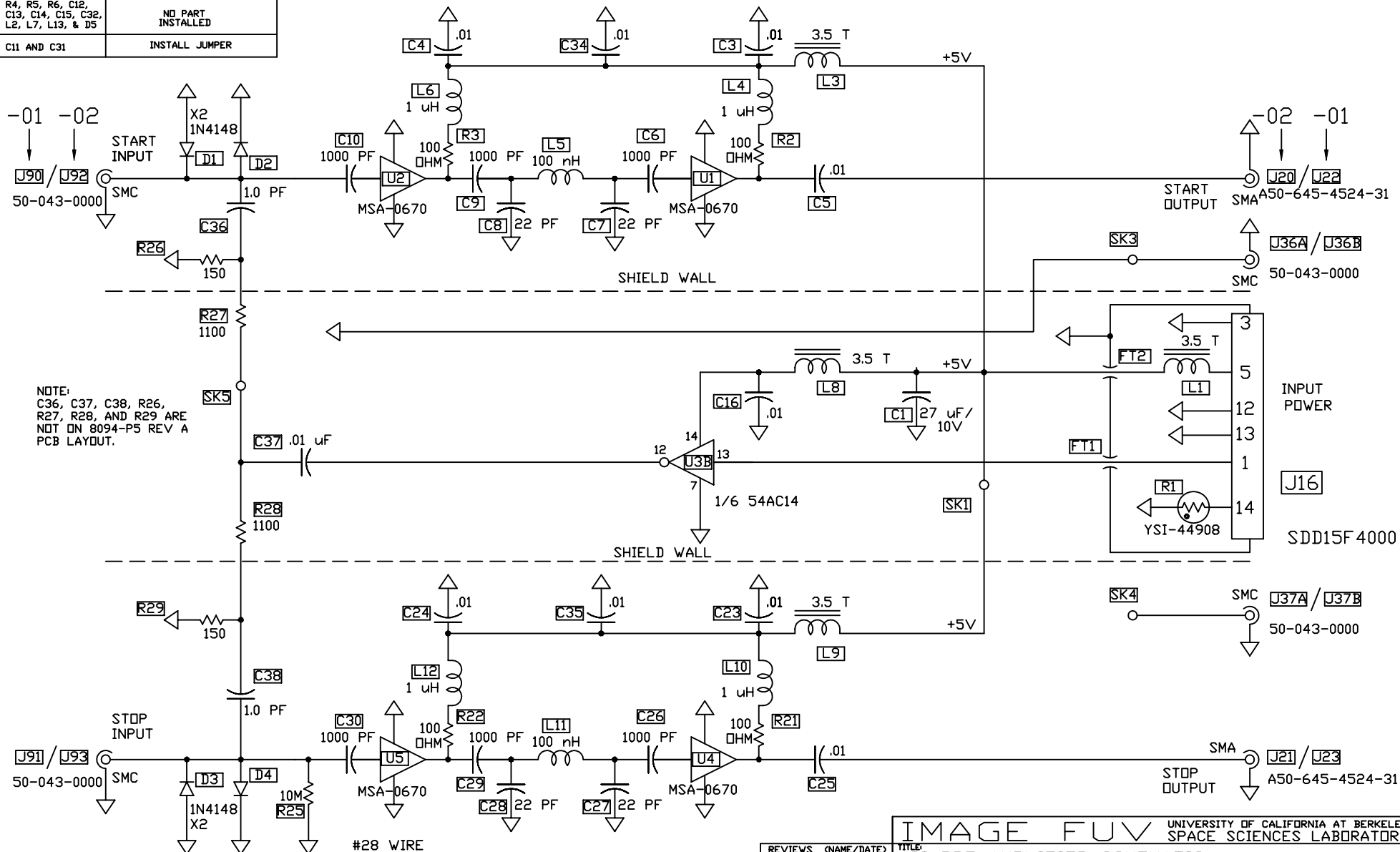


PART LOADING CHART:

REF DES	-01	-02
SK1 SK5	INSTALL HYPERTRONICS YSK005-015H FROM SOLDER SIDE	INSTALL HYPERTRONICS YSK005-002
FT1, FT2, R1, L1, L8, U3, AND J16	INSTALLED	NOT INSTALLED
SK3, SK4	NO PART INSTALLED	
R4, R5, R6, C12, C13, C14, C15, C32, L2, L7, L13, & D5	NO PART INSTALLED	
C11 AND C31	INSTALL JUMPER	

REV	DESCRIPTION	BY	DATE
A	INITIAL LAYOUT	HDH	19MAY97
B	REMOVE CHG AMP, ADD STIM PULSER	HDH	8JUL97
C	FIXED REFERENCE DESIGNATORS & PART VALUES	HDH	18AUG97
D	REMOVED CHARGE OUTPUT REMNENTS	HDH	28AUG97
E	PUT CHARGE OUTPUT BACK IN	HDH	8SEP97
F	REMOVE CHG. OUTPUT; MODIFY STIM CIRCUIT	HDH	15JAN98
G	REMOVE L7 AND L13	HDH	26JAN98



NOTE:  
C36, C37, C38, R26,  
R27, R28, AND R29 ARE  
NOT ON 8094-P5 REV A  
PCB LAYOUT.

#28 WIRE  
ON FAIR-RITE  
#2843002402  
BALUN -- TYP FOR 7

REVIEWS (NAME/DATE)		TITLE:	
ORIGINAL VERSION	CURRENT REVISION	SI PRE-AMPLIFIER SCHEMATIC	
CHECK	JCH	DRAWN BY:	H. HEETDERKS
RELEASE		DATE:	19 MAY, 1997
		FILE NAME:	PRE_SCH.DWG
		SHEET	1 OF 1
		DWG NO.	8003-A2
		REV	G

UNIVERSITY OF CALIFORNIA AT BERKELEY  
SPACE SCIENCES LABORATORY